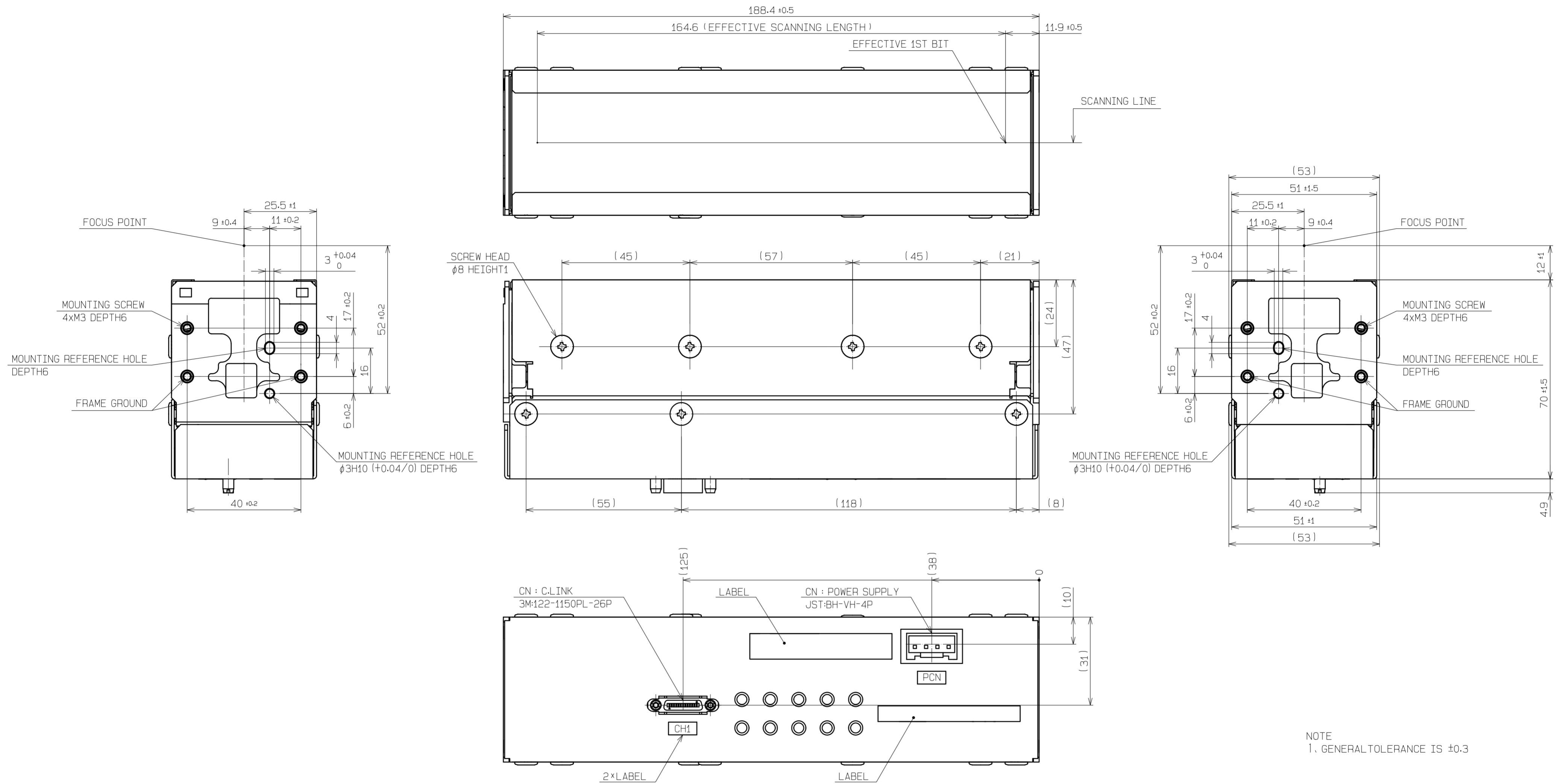


External outline
IDCCFC-165



NOTE
1. GENERAL TOLERANCE IS ±0.3