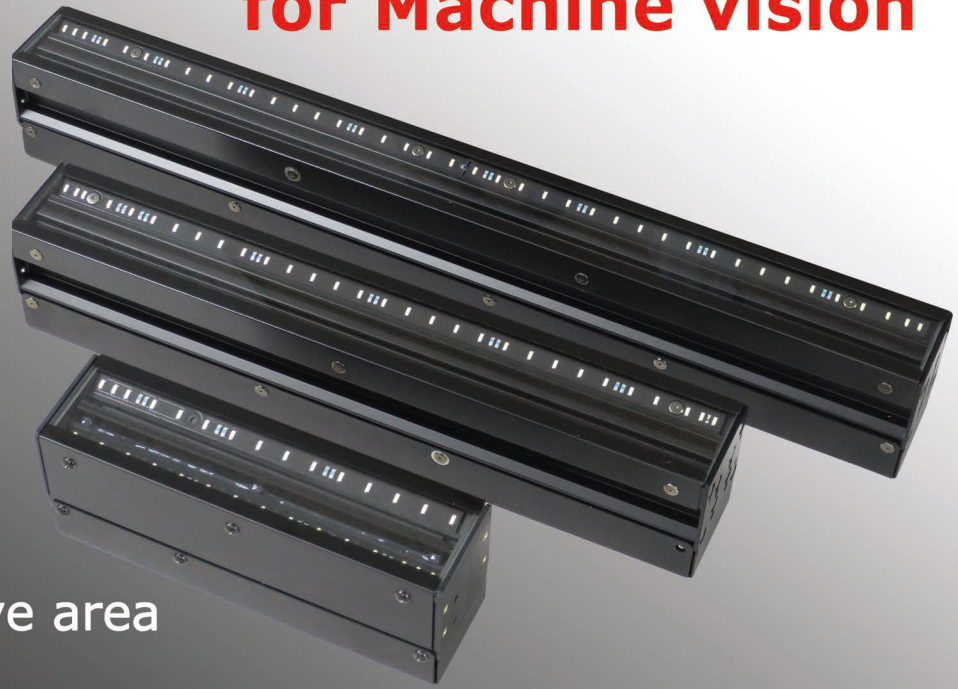


Canon CANON COMPONENTS, INC.

CIS type line scan camera

IDC series Type-C

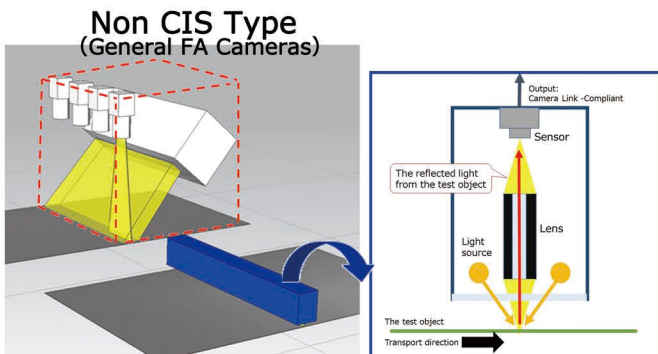
**All in One capture component
for Machine vision**



- Minimize non-effective area
- Built in illumination
- 600/300/200/150dpi (Selectable)
- Scan mode (Color/monochrome)
- Maximum transfer speed 36m/min. (600dpi/color)
- Camera Link -Compliant

All in One

Built in optical and signal process is enable to minimize the space compared with existing industrial camera



IDC series

Use example

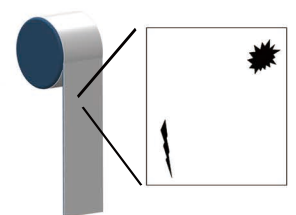
- Print inspection
- Web inspection
- Other surface inspection

Ex. Label print inspection



Print quality, Data integrity etc...

Ex. Web inspection

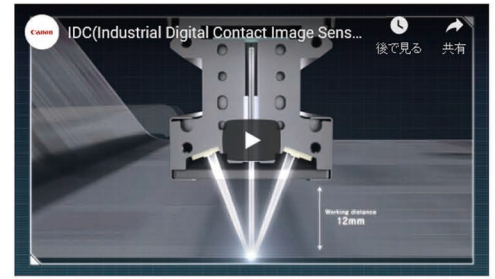


Scrach, Dirt etc...

● Specifications

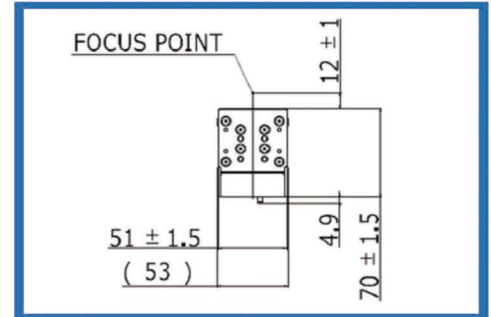
Item	IDCCFC-165C	IDCCFC-330C	IDCCFC-476C	Remarks
Scanning length	164.6mm	329.3mm	475.8mm	
Effective pixel number	3,888 x 3 (RGB)	7,776 x 3 (RGB)	11,232 x 3 (RGB)	600dpi
	3,888 (monochrome)	7,776 (monochrome)	11,232 (monochrome)	
Number of Total pixel number	3,888 x 3 (RGB)	7,776 x 3 (RGB)	11,232 x 3 (RGB)	600dpi
	3,888 (monochrome)	7,776 (monochrome)	11,232 (monochrome)	
Scanning density	600/300/200/150dpi			With mode switching
Pixel CLK frequency	20MHz			
Pixel data	RGB 8bit			
Scanning speed	600dpi : 71(μs/line) , 14(kHz) , 36(MPM)			RGB color or Mono I
	300dpi : 38(μs/line) , 26(kHz) , 132(MPM)			
	200dpi : 28(μs/line) , 36(kHz) , 276(MPM)			
	150dpi : 38(μs/line) , 26(kHz) , 264(MPM)			
Output(Digital)	Camera Link-Compliant			
	Base x 1port	Base x 2port	Base x 3port	
Output data CLK	60MHz			
Optical system	Rod Lens Array			
Luminous source	White LED			
Supply voltage	VCC : 5V±5% VLED : 24V±5%			
Power consumption	VCC : 0.7A VLED : 0.2A	VCC : 1.7A VLED : 0.4A	VCC : 2.4A VLED : 0.8A	VCC Current : Effective value LVCC Current : Effective value at LED ON Duty 100..
Outer dimension	W188 x H70 x D53mm	W353 x H70 x D53mm	W499 x H70 x D53mm	
Weight	0.6kg	1.8kg	2.5kg	

● Introduction movie

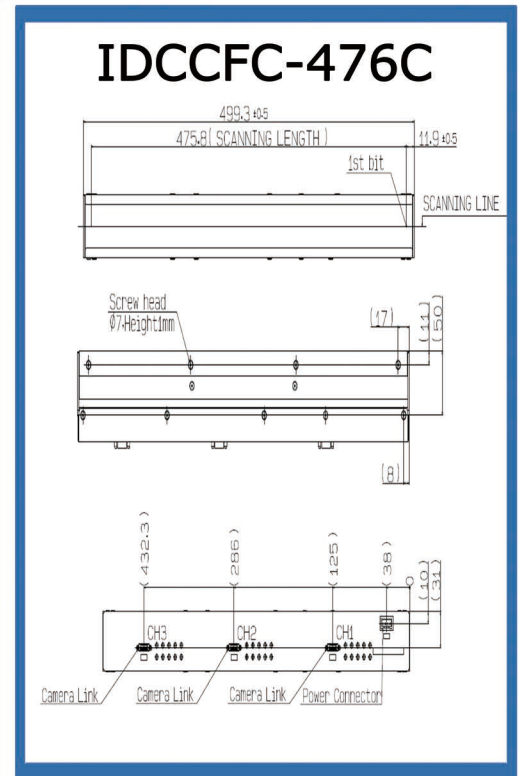
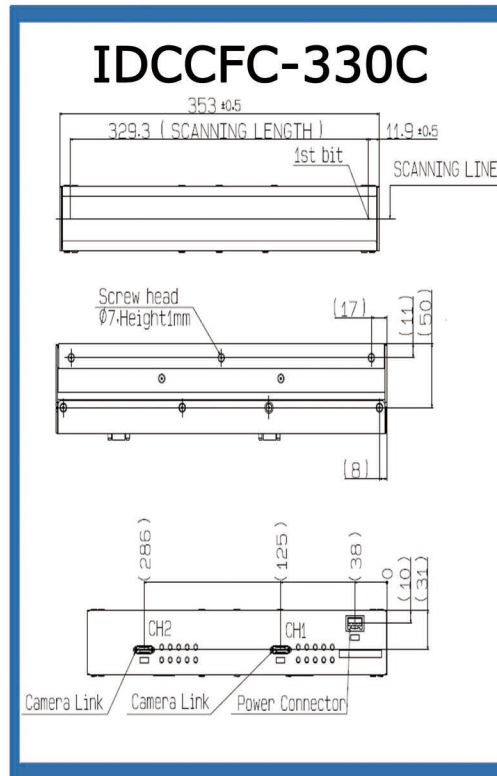
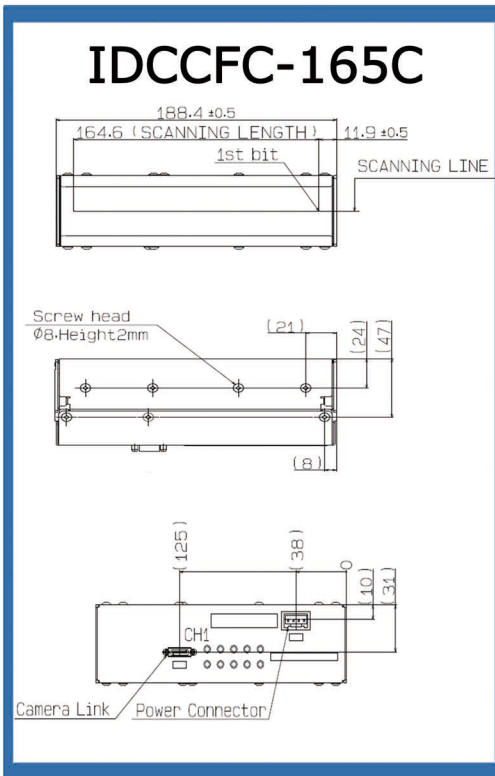


CIS type line scan camera
<https://compo.canon/en/product/cis/index.html>

● Side view (common)



● External view



*Specifications of the product might be changed to improve without a notice
 *Camera Link is a trademark of AIA

Product Inquiry

©CANON COMPONENTS,INC. CIS Business Group homepage
<https://compo.canon/en/product/cis/index.html>

©CANON COMPONENTS,INC. CIS Business Group
 CIS Planning & Marketing Div.

Phone. +81-44-738-5650



Canon CANON COMPONENTS, INC.

7-5-27,Kamikodanaka,Nakahara-ku,Kawasaki-shi,Kanagawa
 211-0053,Japan

Date.2022.Nov