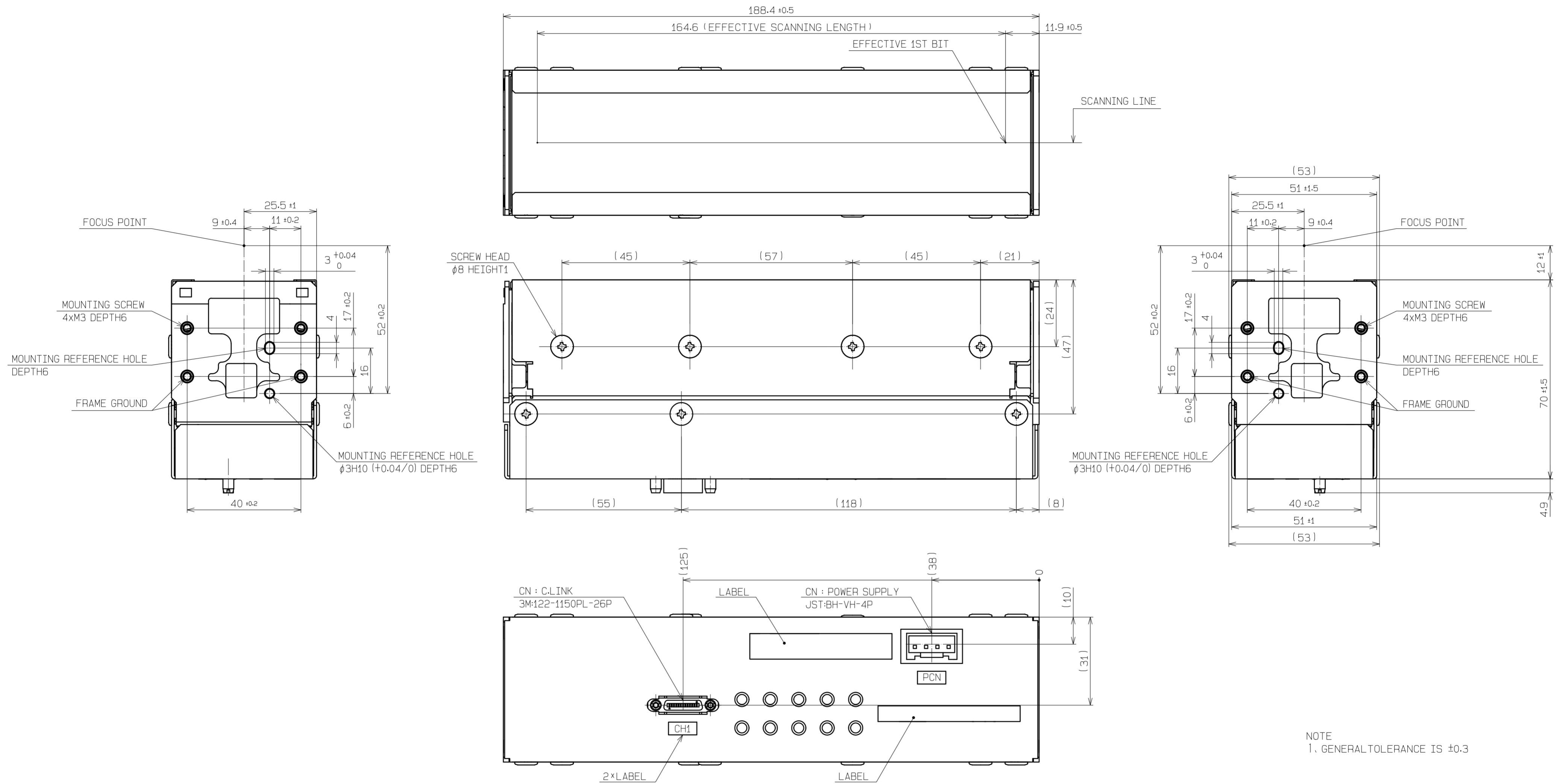


製品外形図 IDCCFC-165



NOTE  
1. GENERAL TOLERANCE IS ±0.3